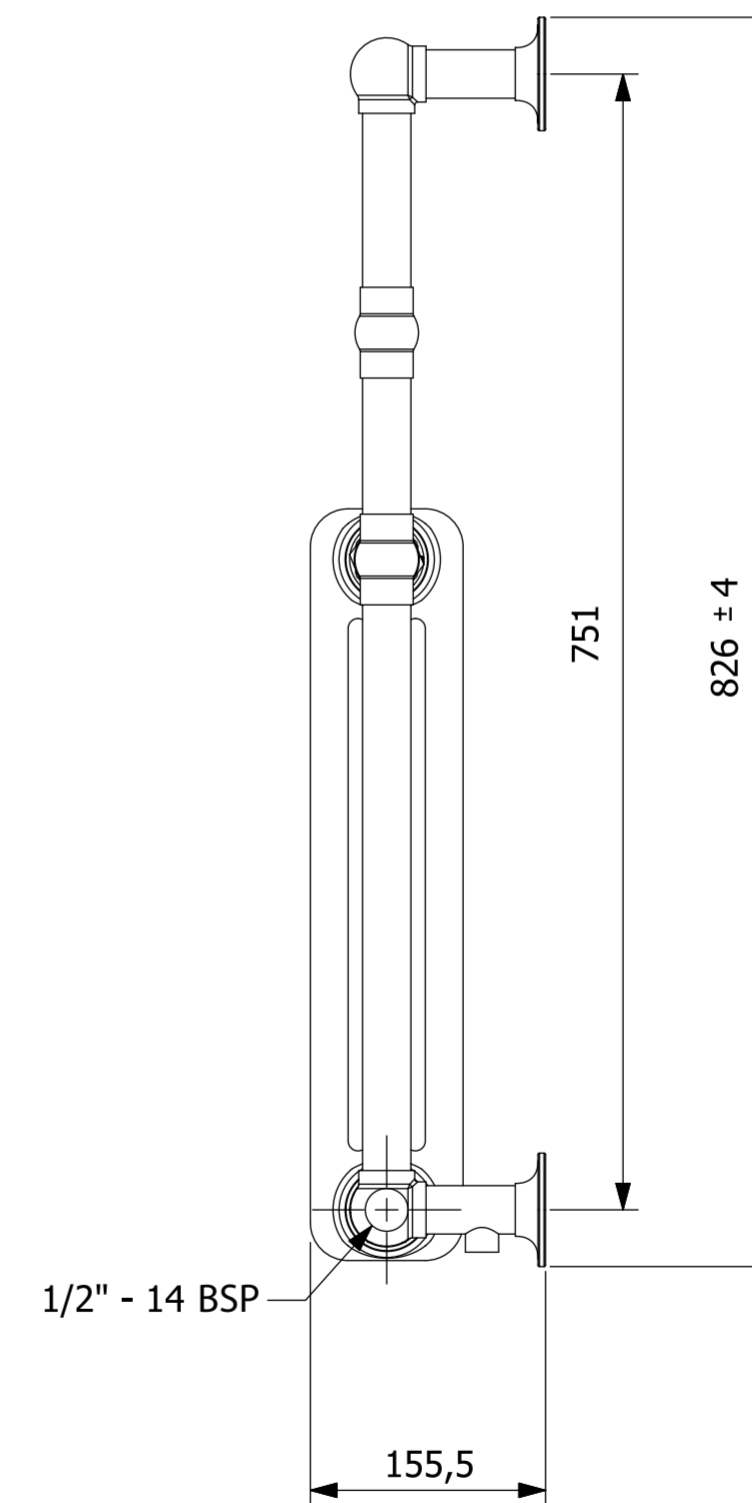
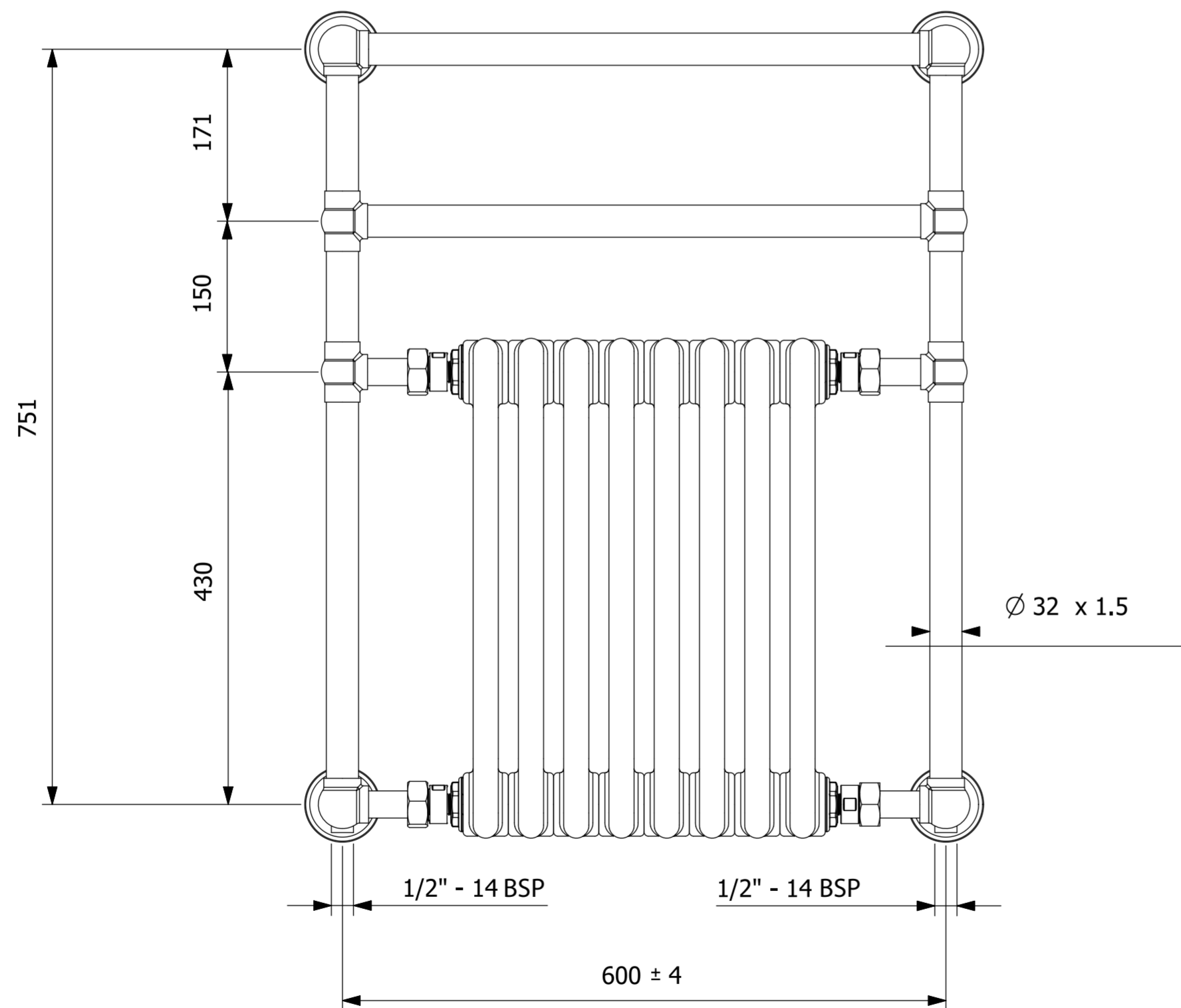
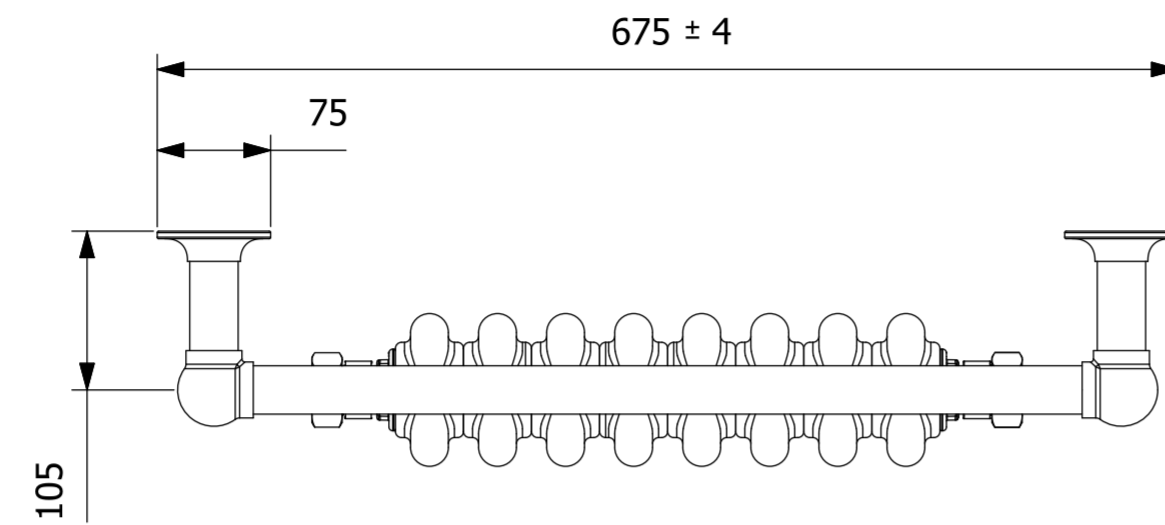


VIVIAN 8 SHALLOW PROFILE WALL MOUNTED TOWEL RAIL

Technical Drawing

Castrads[®]

Est. 2006

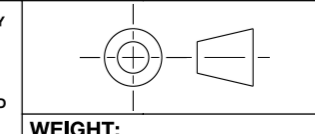


NOTES:
UNLESS OTHERWISE SPECIFIED: ALL DIMENSIONS ARE IN MILLIMETERS, DUAL DIMENSIONS ARE IN INCHES AND APPLY BEFORE FINISHING. REMOVE AND DEBURR SHARP EDGES, CHAMFER OR R 0.5 MAX. THREADS TO BS 3643-1:2007. T.S.C. DENOTES - TO SHARP CORNER - WHERE DIMENSIONS ARE TAKEN FROM TRUE CORNER BEFORE FILLETS.

DO NOT SCALE DRAWING

REVISION	
TITLE:	VIVIEN 8 SHALLOW PROFILE - WALL MOUNTED TOWEL RAIL
DWG NO:	CR_VIVIEN-8-SP-WM_UK
MATERIAL:	

CONFIDENTIAL. THIS DRAWING IS THE PROPERTY OF CASTRADS © AND MAY NOT BE COPIED OR USED FOR ANY PURPOSE OTHER THAN WHICH IT IS SUPPLIED FOR WITHOUT THE EXPRESS WRITTEN AUTHORITY OF CASTRADS, 1 KENWOOD RD, STOCKPORT, SK5 6PH



WEIGHT:

SCALE 1 : 2

SHEET: 1 of 1

A2