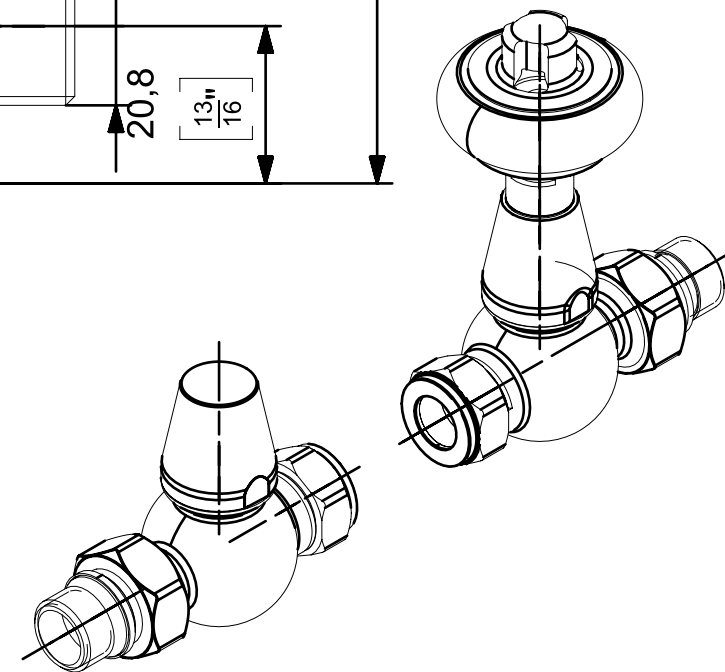
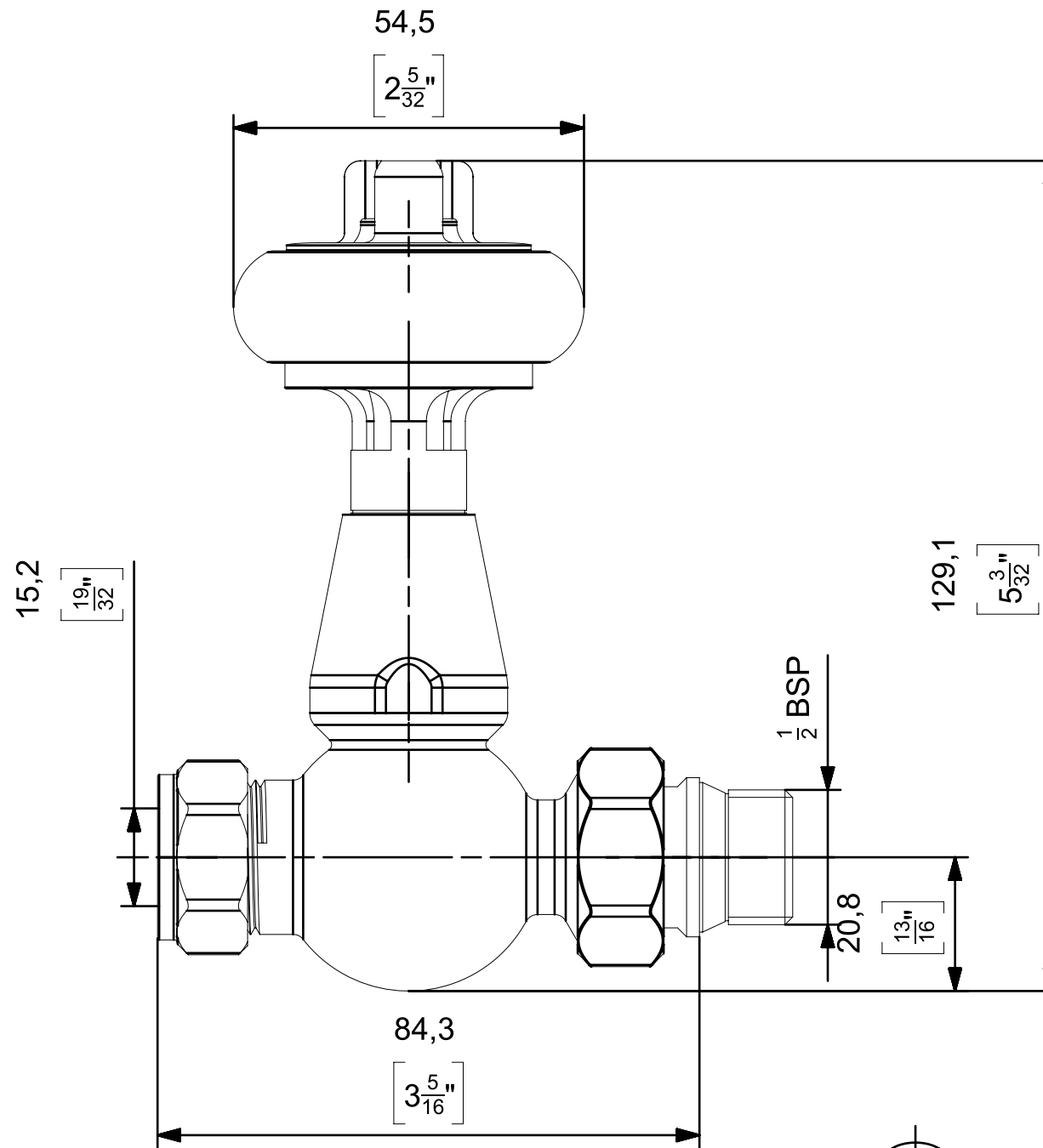
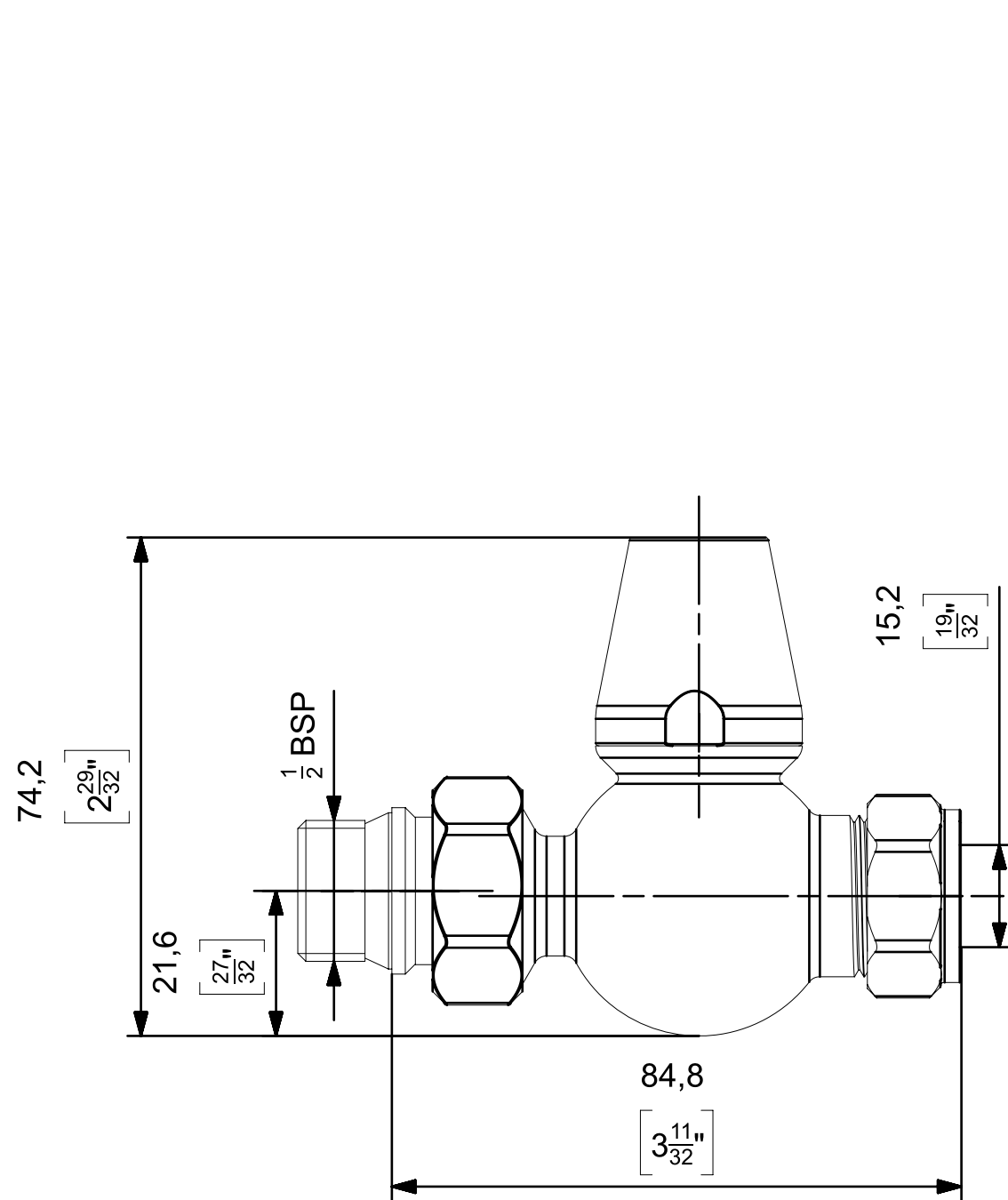


Notes
 Dual dimensions are given in millimetres followed by [inches].
 Castrads Ltd, not to be reproduced without written consent.



Responsible dept. Product	Technical reference: J. Riley	Document type Dimensions Drawing	Document status Public Release	Material Brass	Weight 1.1KG	Scale 1:1
Castrads Est. 2006	Created by: J. Riley	Title, supplementary title Windsor Straight TRV - Pair		WIN-TLP-3153-[DD]_dwg		
	Approved by: N. Baylis	Rev. A	Date of Issue 23.10.2023	Lang. en	Sheet 1/1	