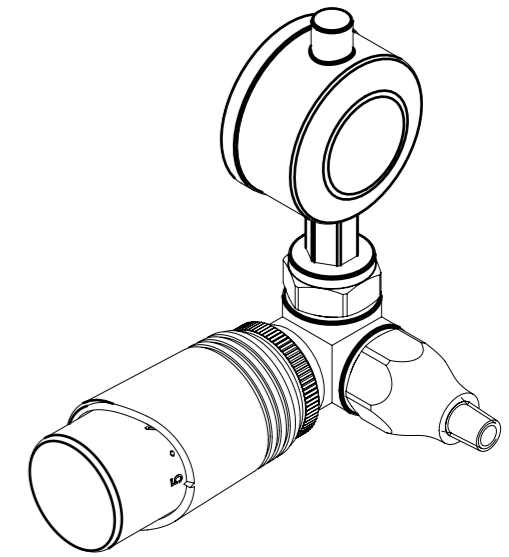
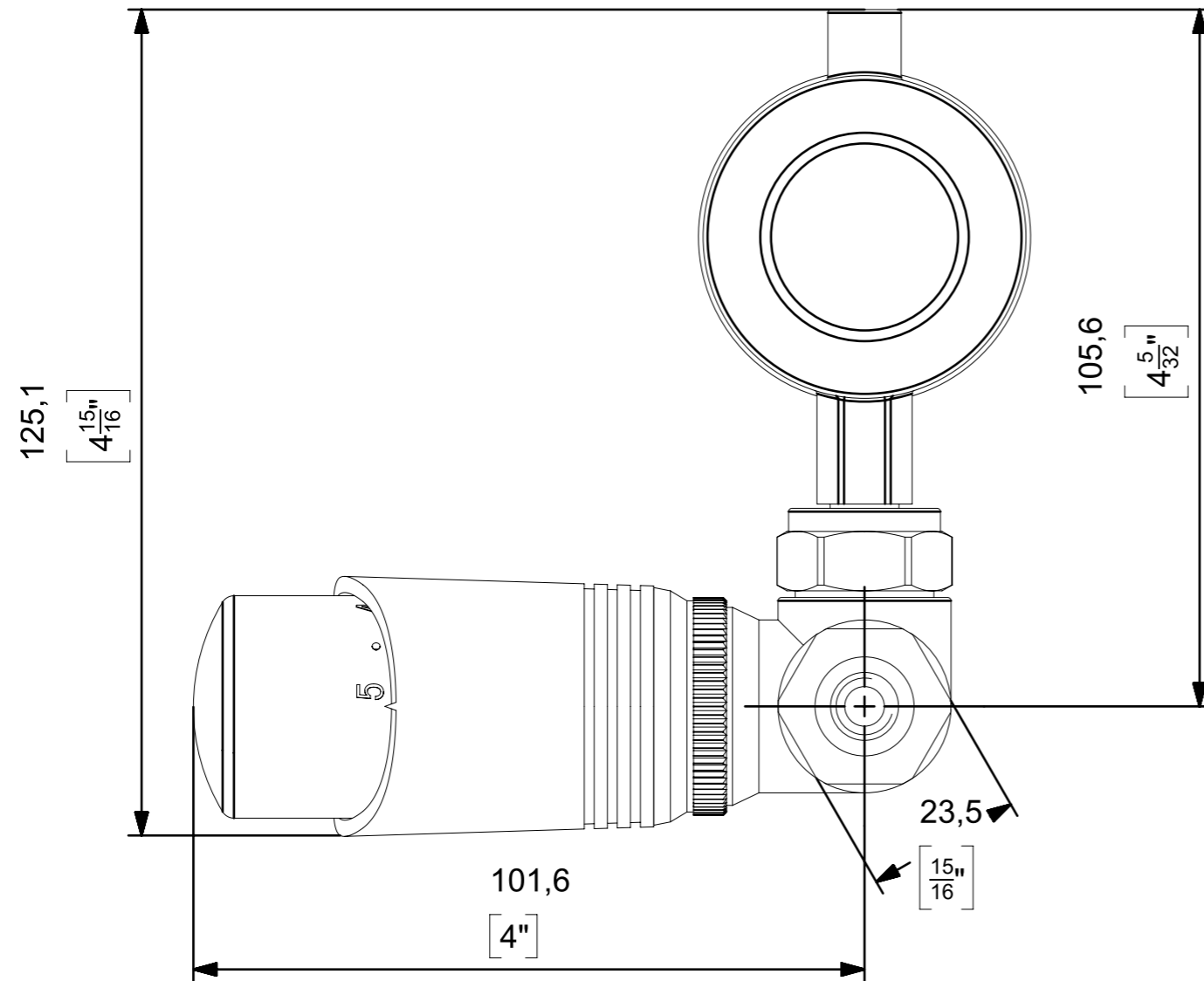
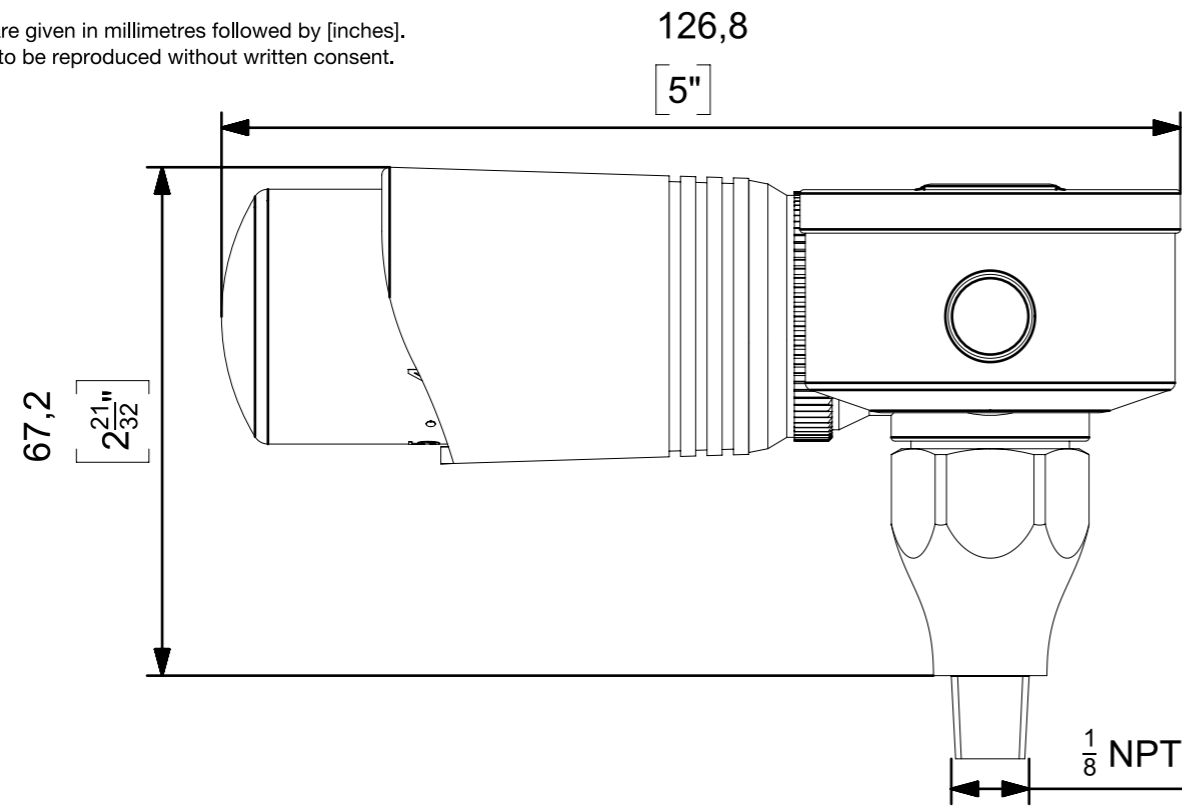


Notes
 Dual dimensions are given in millimetres followed by [inches].
 Castrads Ltd, not to be reproduced without written consent.



Responsible dept.	Technical reference:	Document type	Document status	Material	Weight	Scale
Product	J. Riley	Dimensions Drawing	Public Release	Brass	0,5KG	1:1
Castrads Est. 2006	Created by:	Title, supplementary title		NIV-STM-1222-[DD]_dwg		
	J. Riley	Niva 1PS TRV		Rev.	Date of Issue	Lang.
	Approved by:			A	26.01.2024	en
	N. Baylis					1/1