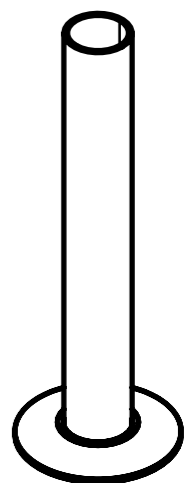
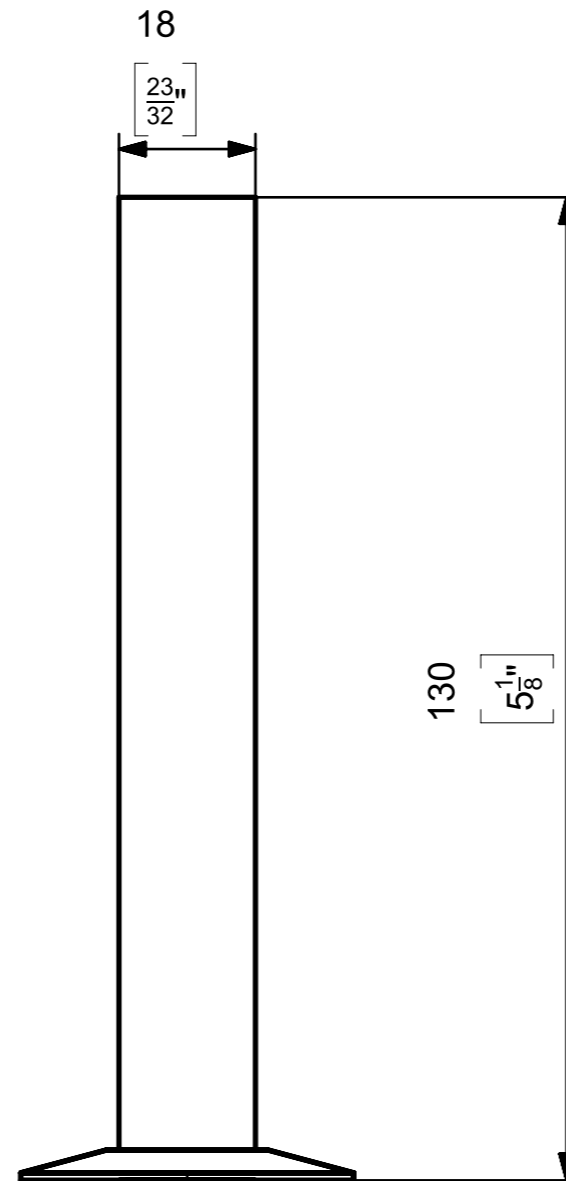
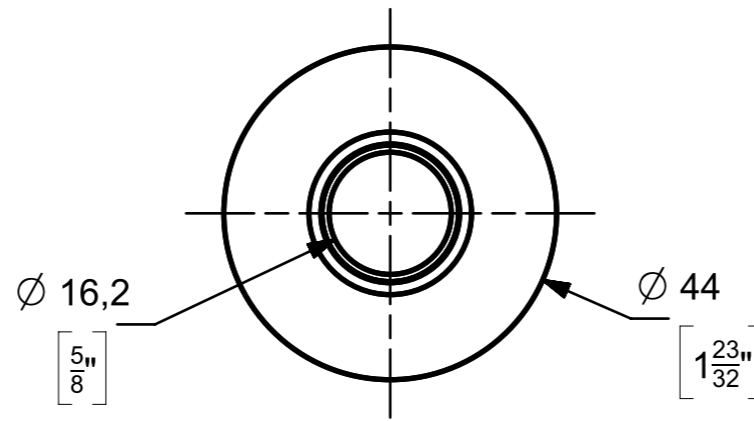


**Notes**  
 Dual dimensions are given in millimetres followed by [inches].  
 Castrads Ltd, not to be reproduced without written consent.



Responsible dept. Product	Technical reference: J. Riley	Document type Dimensions Drawing	Document status Public Release	Material Brass	Weight 0.2KG	Scale 1:1
Castrads Est. 2006	Created by: J. Riley	Title, supplementary title 130mm Shrouds & Base Plates		SBP-0-0-130-[DD]_dwg		
	Approved by: J. Riley			Rev. A	Date of Issue 04.01.2024	Lang. en