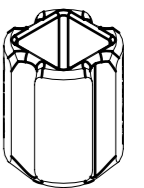
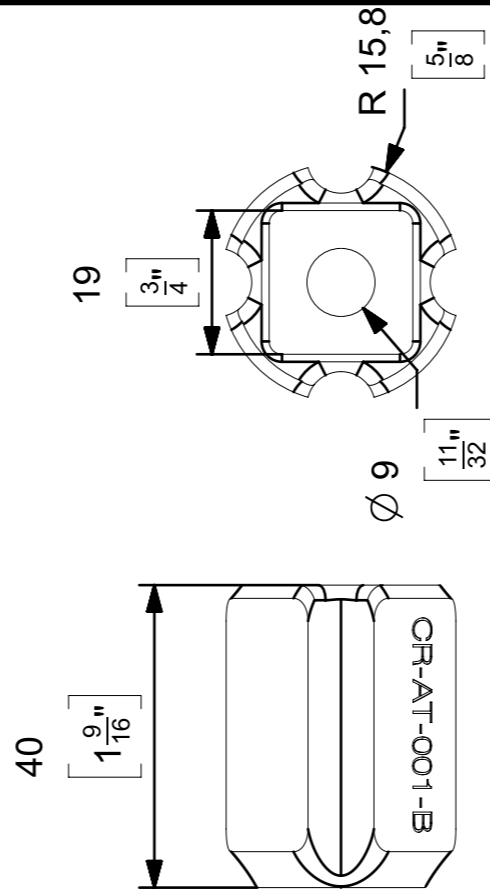


Notes
 Dual dimensions are given in millimetres followed by [inches].
 Castrads Ltd, not to be reproduced without written consent.



Responsible dept.	Technical reference:	Document type	Document status	Material	Weight	Scale
Product	J. Riley	Dimensions Drawing	Public Release	Cast Iron	0.1KG	1:1
Castrads Est. 2006	Created by:	Title, supplementary title		CR-AT-001-B-[DD]_dwg		
	Approved by:	"AT001B - Assembly Toolhead - 1-1/4""		Rev.	Date of Issue	Lang.
	N. Baylis			A	23.10.2023	en
						Sheet
						1/1