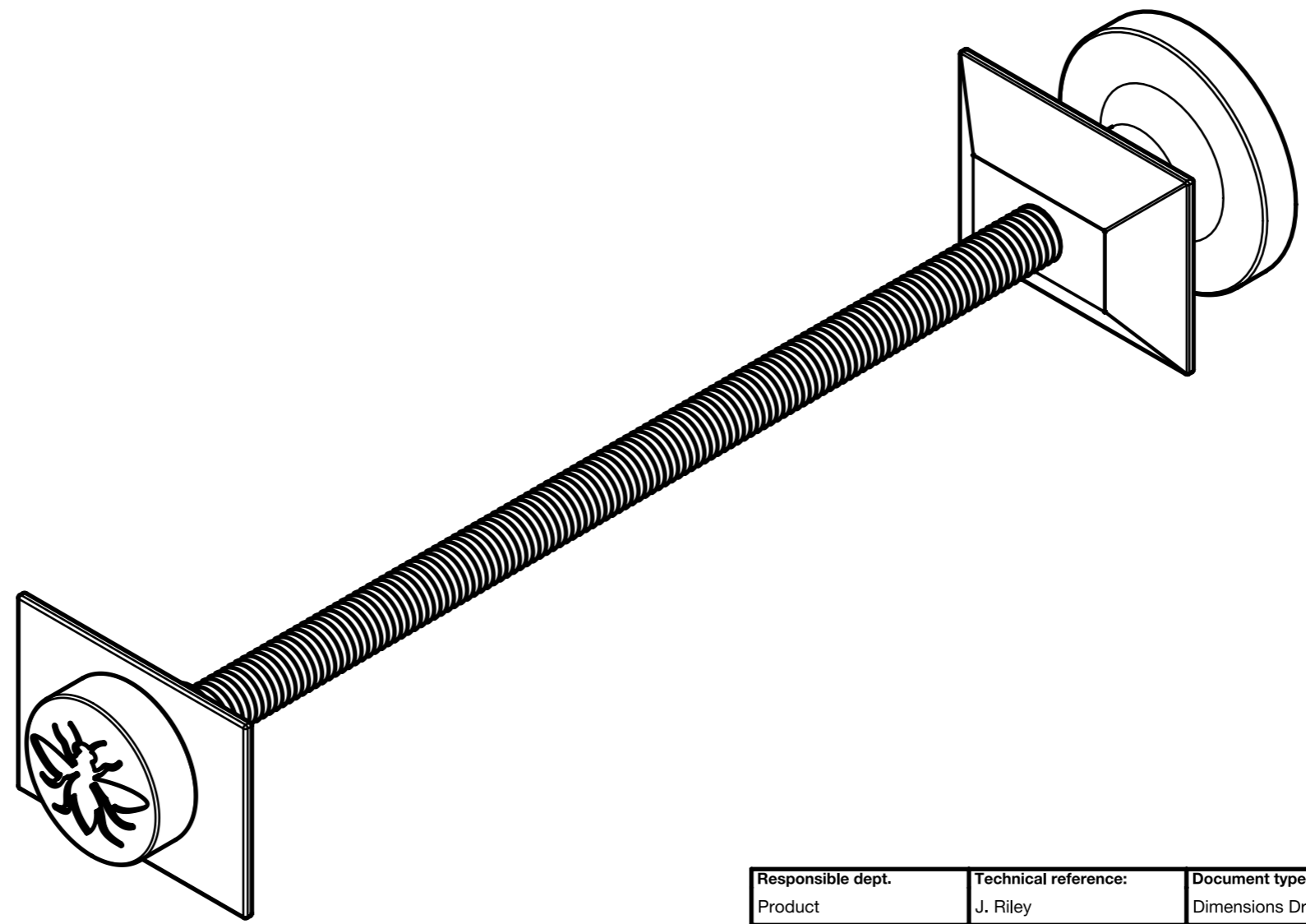
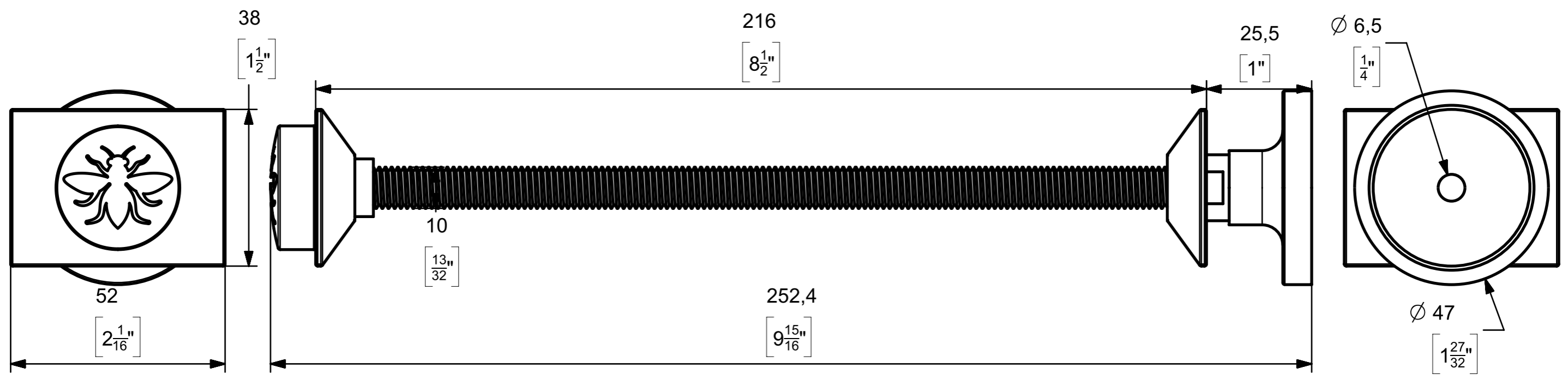


**Notes**  
 Dual dimensions are given in millimetres followed by [inches].  
 Castrads Ltd, not to be reproduced without written consent.



Responsible dept.	Technical reference:	Document type	Document status	Material	Weight	Scale
Product	J. Riley	Dimensions Drawing	Public Release	Brass	KG	1:1
<b>Castrads</b> Est. 2006	Created by:	Title, supplementary title		WWS-0-0-0-EN		
	J. Riley	Whitworth Wall Stay		Rev.	Date of Issue	Lang.
	Approved by:			A	10.10.2023	en
	J. Riley					Sheet
						1/1