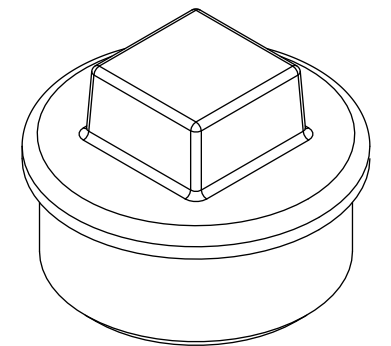
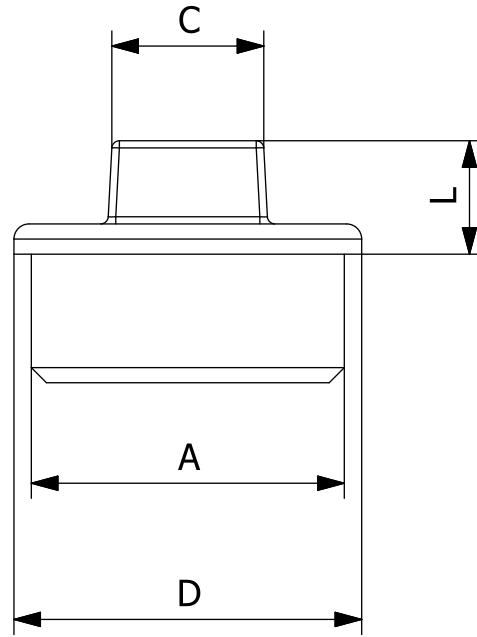
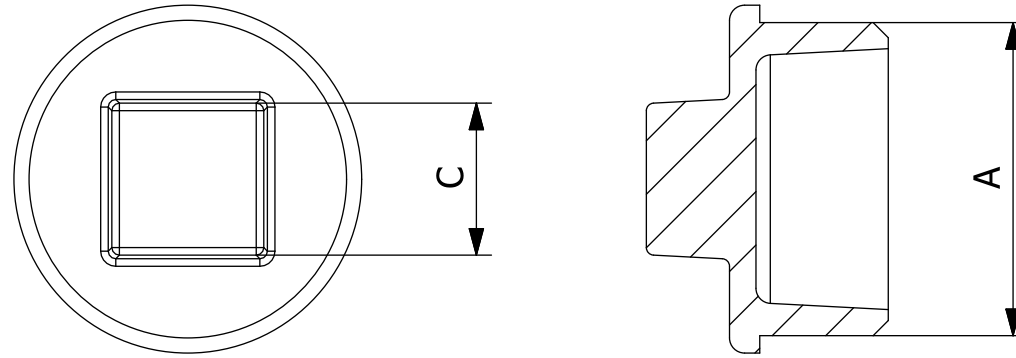


Notes
 Castrads Ltd, not to be reproduced without written consent.



| | | | | | | | | |
|---------|-------|--------|------|-------|-----|-------|------|-----|
| A (BSP) | 0.25" | 0.375" | 0.5" | 0.75" | 1" | 1.25" | 1.5" | 2" |
| C (mm) | 8.5 | 11 | 12 | 14 | 18 | 21 | 26 | 27 |
| D (mm) | N/A | N/A | N/A | N/A | N/A | 46 | N/A | N/A |
| L (mm) | 7.5 | 9 | 10 | 7 | 12 | 15 | 12 | 12 |

| | | | | | | |
|-------------------------------------|---|---|--|-------------------------------|---------------------|---------------------|
| Responsible dept. Product | Technical reference: J. Riley | Document type Dimensions Drawing | Document status Public release | Material Black Iron | Weight KG | Scale 1:1 |
| Castrads Est. 2006 | Created by: J. Riley | Title, supplementary title Black Iron Blanking Plug | | BIT-P_dwg | | |
| | Approved by: J. Riley | Rev. A | Date of Issue 03.11.2023 | Lang. en | Sheet 1/1 | |