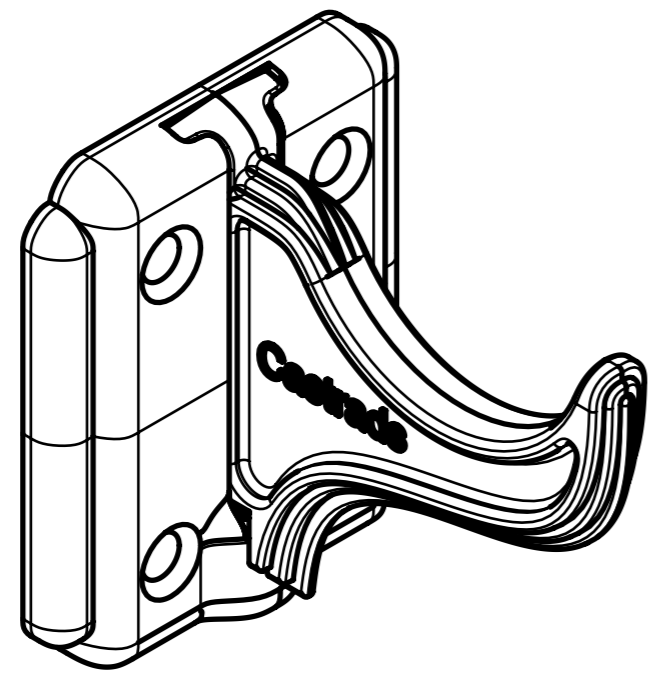
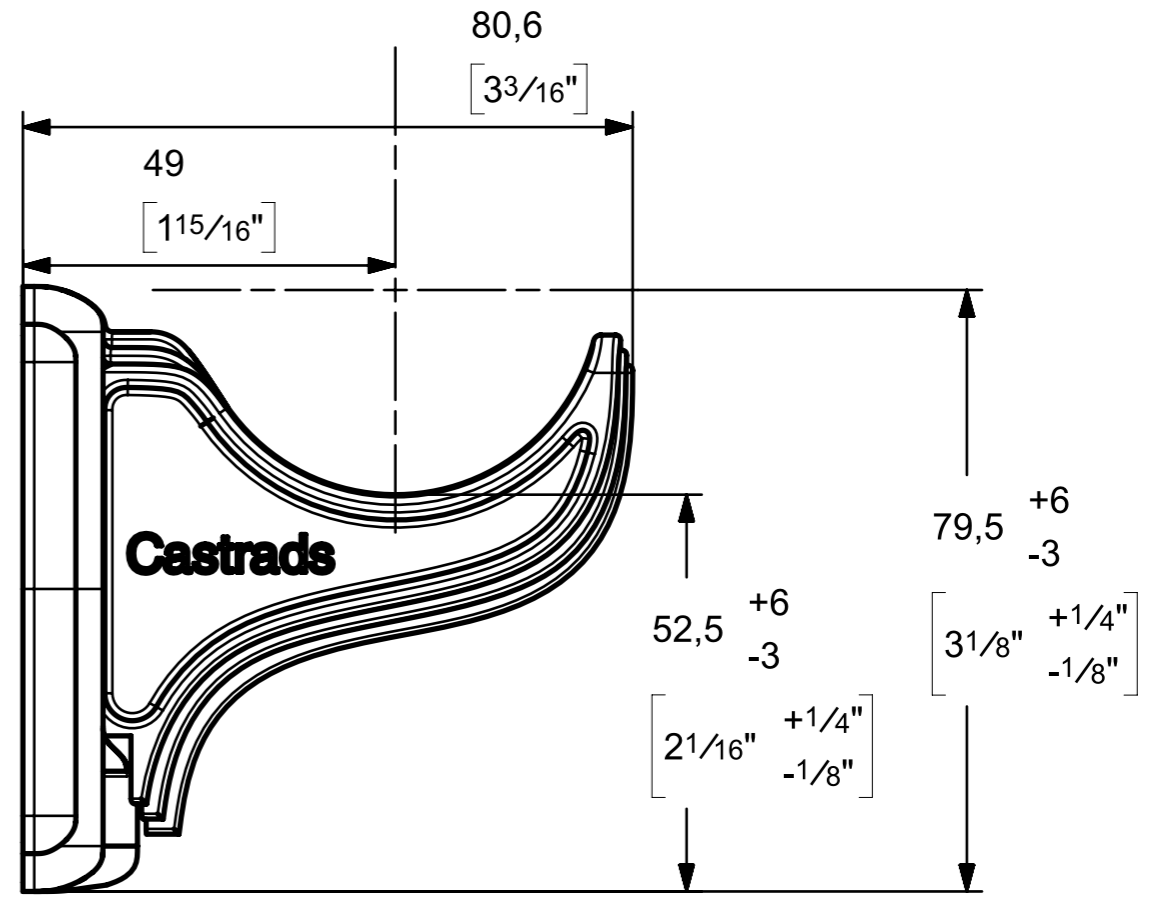
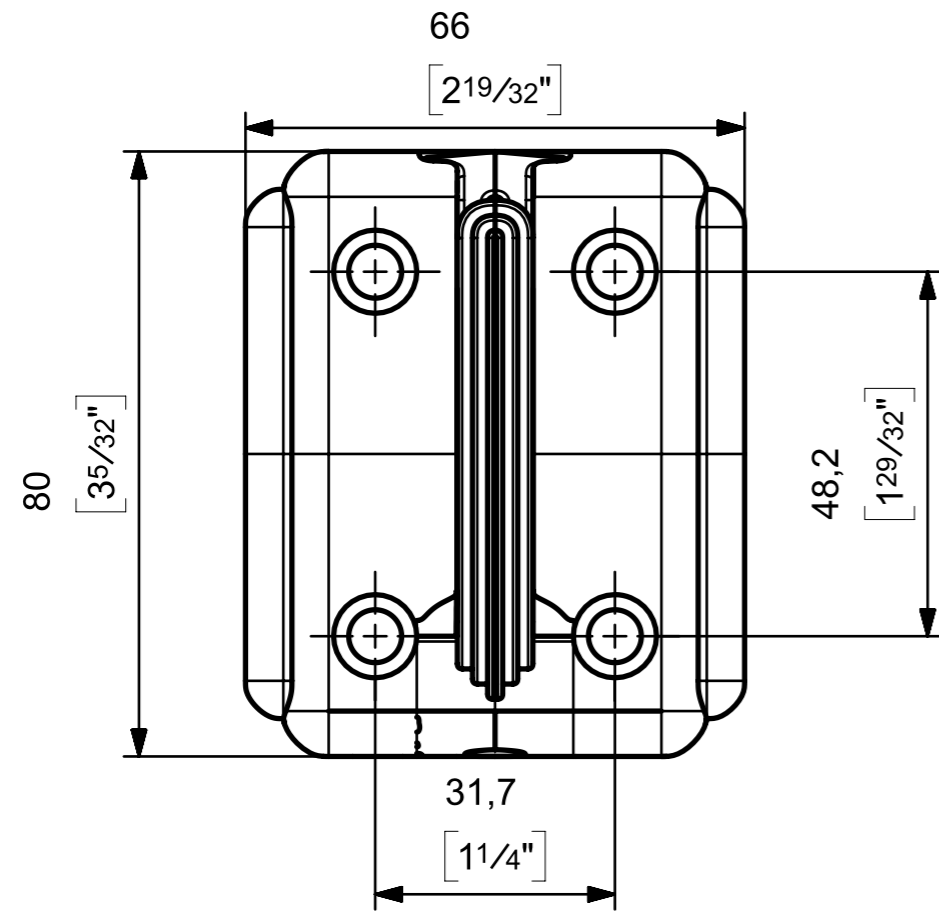


Notes
 Dual dimensions are given in millimetres followed by [inches].
 Castrads Ltd, not to be reproduced without written consent.



Responsible dept. Product	Technical reference: J. Riley	Document type Dimensions Drawing	Document status Public Release	Material Steel	Weight KG	Scale 1:1
Castrads Est. 2006	Created by: J. Riley	Title, supplementary title Atlas Wall Bracket - 49mm		ATL-WBP-49-EN		
	Approved by: J. Riley	Rev. A	Date of Issue 10.10.2023	Lang. en	Sheet 1/1	