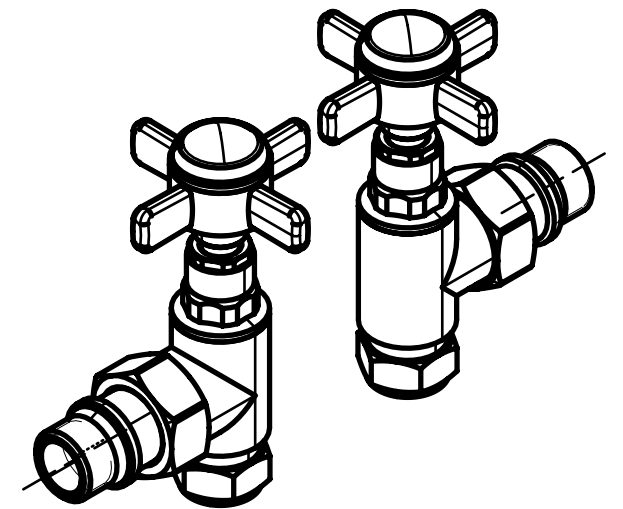
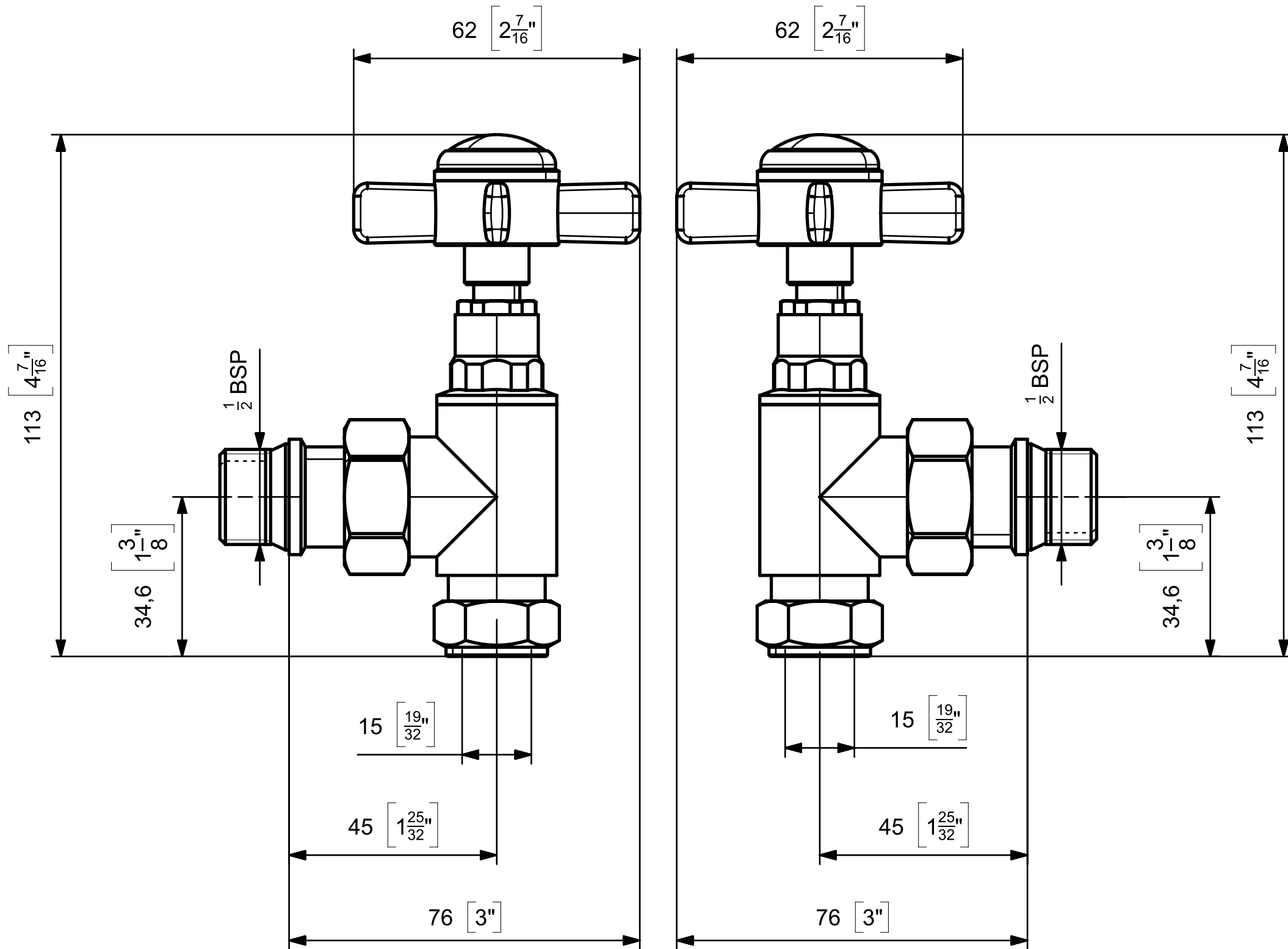


**Notes**  
 Dual dimensions are given in millimetres followed by [inches].  
 Castrads Ltd, not to be reproduced without written consent.



Responsible dept. Product	Technical reference: J. Riley	Document type Dimensions Drawing	Document status Public Release	Material Brass	Weight 1,6KG	Scale 1:1
<b>Castrads</b> Est. 2006	Created by: J. Riley	Title, supplementary title Crosshead Angled Manual - Control Valve		XHD-MLP-3111-[DD]_dwg1		
	Approved by: N. Baylis	Rev. A	Date of Issue 18.12.2024	Lang. en	Sheet 1/1	