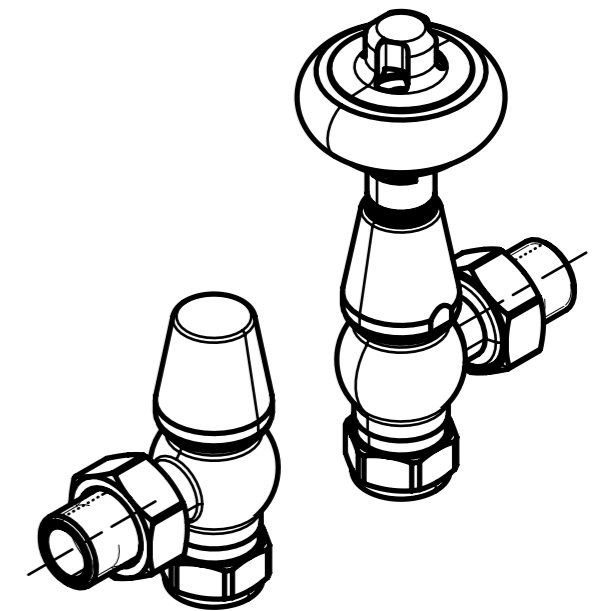
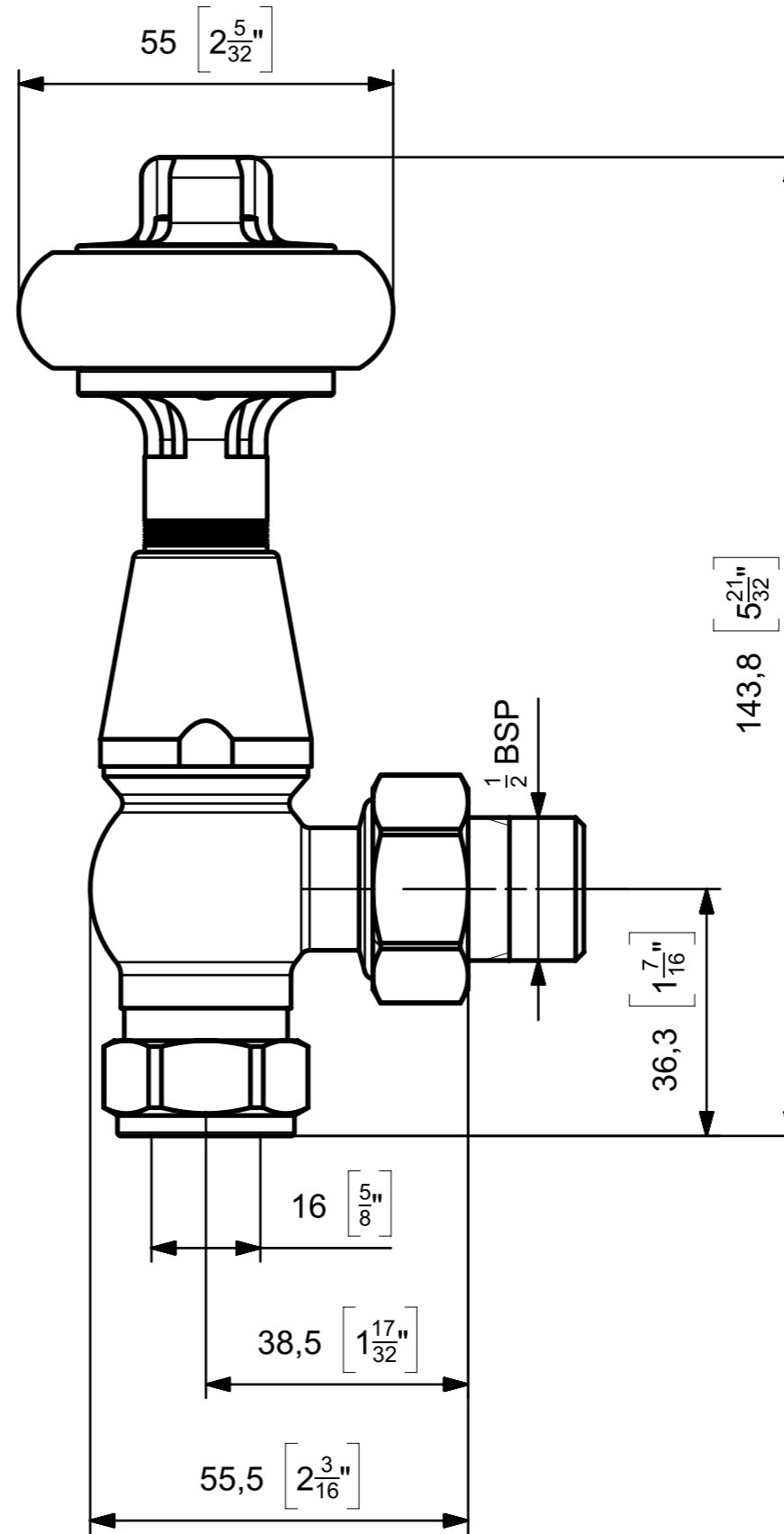
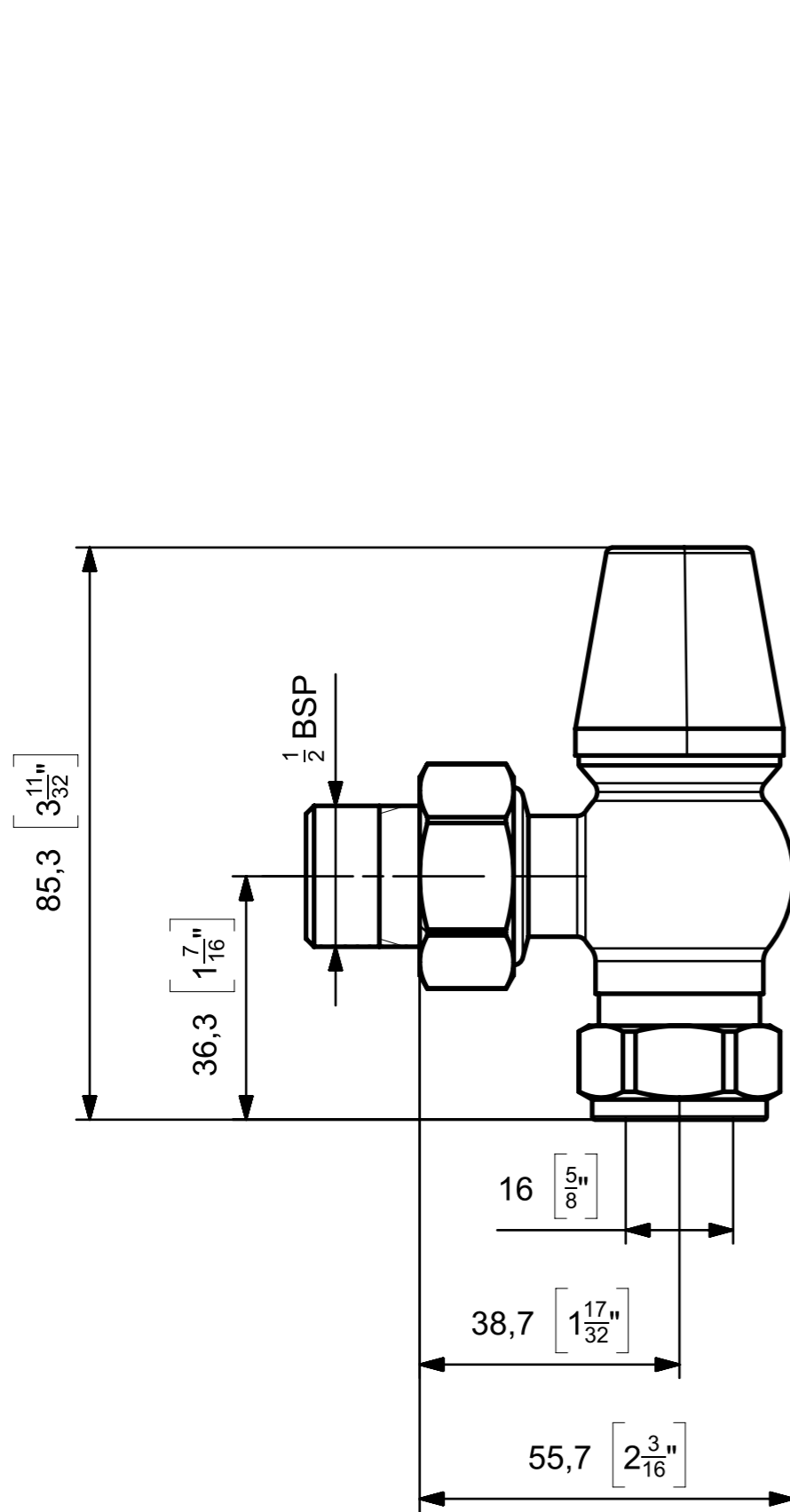


Notes
 Dual dimensions are given in millimetres followed by [inches].
 Castrads Ltd, not to be reproduced without written consent.



Responsible dept.	Technical reference:	Document type	Document status	Material	Weight	Scale
Product	J. Riley	Dimensions Drawing	Public Release	Brass	0,9KG	1:1
Castrads Est. 2006	Created by:	Title, supplementary title		WIN-TLP-3231-[DD]_dwg1		
	J. Riley					
	Approved by:	Windsor Angled TRV		Rev.	Date of Issue	Lang.
	J. Riley			A	05.11.2024	en