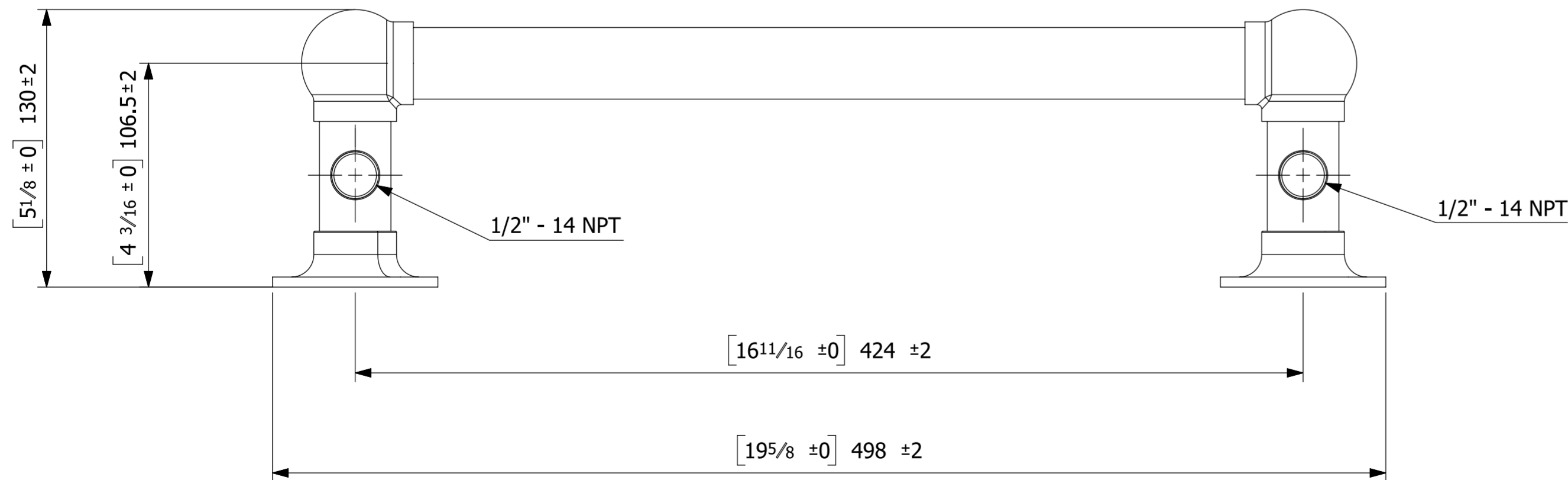
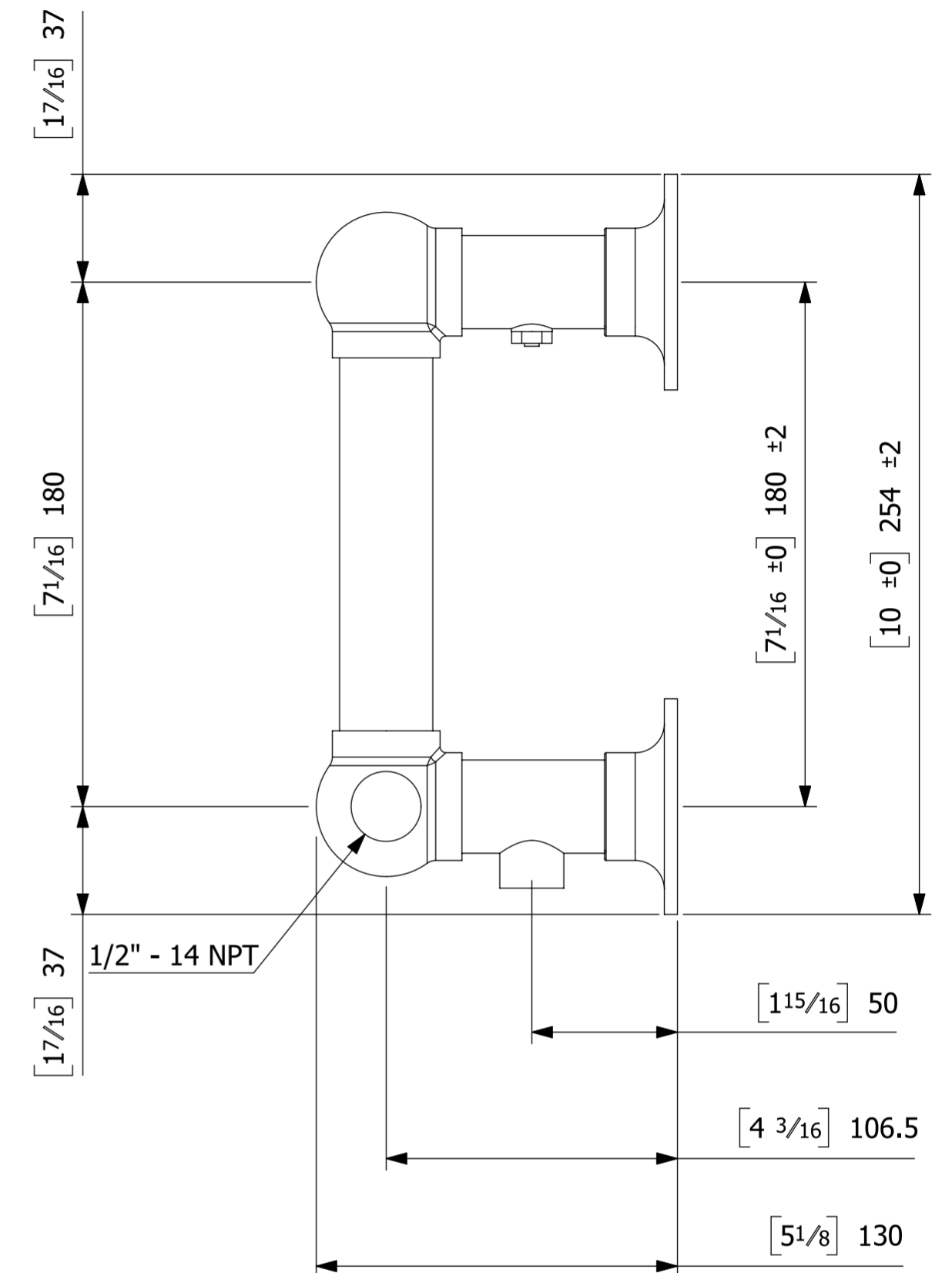
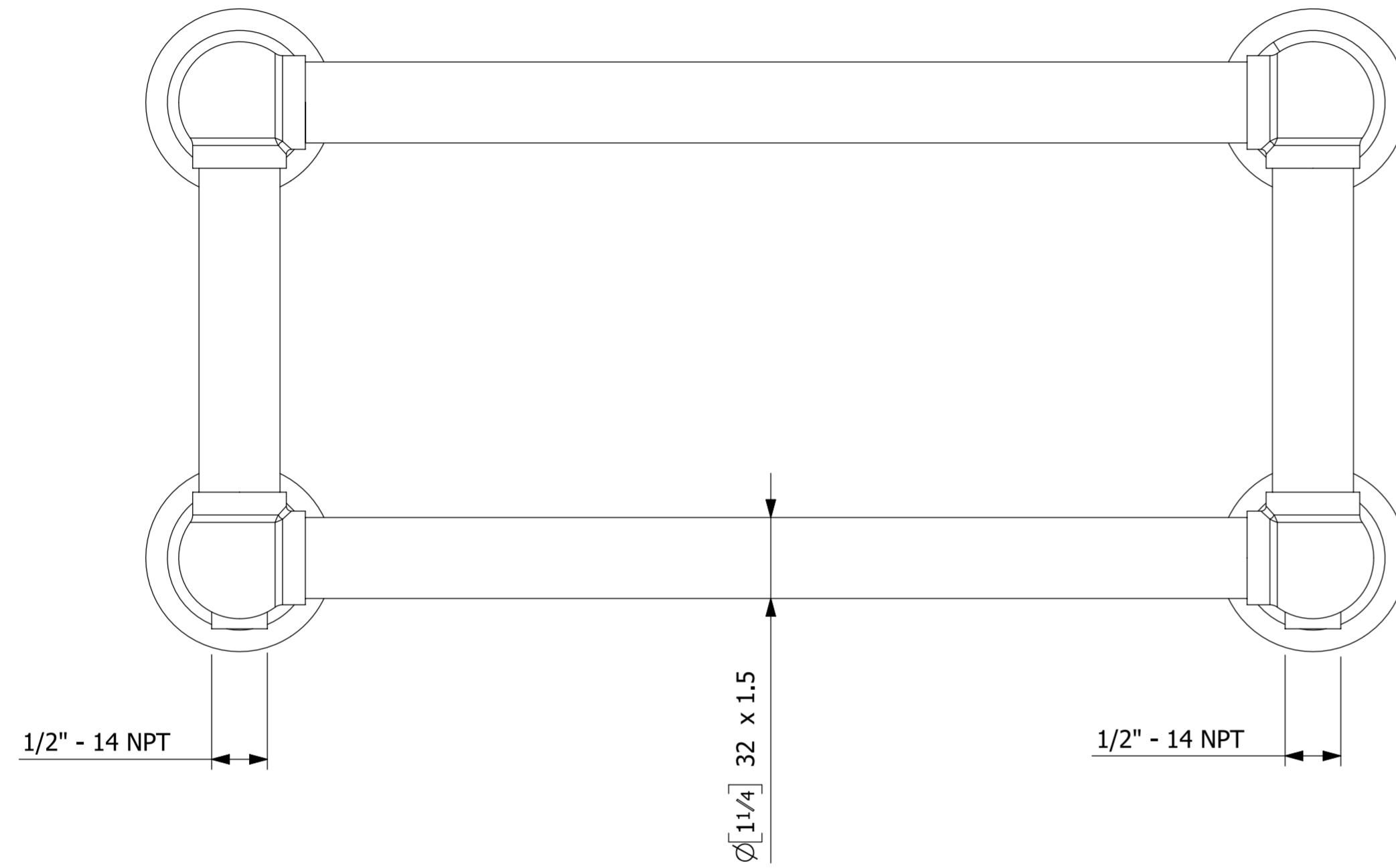



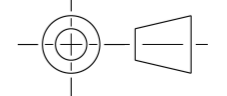
# ELARA 2 TOWEL RAIL

## Technical Drawing

**Castrads**<sup>®</sup>

Est. 2006



	<b>NOTES:</b> UNLESS OTHERWISE SPECIFIED: ALL DIMENSIONS ARE IN MILLIMETERS, DUAL DIMENSIONS ARE IN INCHES AND APPLY BEFORE FINISHING. REMOVE AND DEBURR SHARP EDGES, CHAMFER OR R 0.5 MAX. THREADS TO BS 3643-1:2007. T.S.C. DENOTES - TO SHARP CORNER - WHERE DIMENSIONS ARE TAKEN FROM TRUE CORNER BEFORE FILLETS.	DO NOT SCALE DRAWING REVISION
	<b>TITLE:</b> ELARA 2 TOWEL RAIL	<b>DWG NO:</b> CR_ELARA-2_USA
CONFIDENTIAL. THIS DRAWING IS THE PROPERTY OF CASTRADS © AND MAY NOT BE COPIED OR USED FOR ANY PURPOSE OTHER THAN WHICH IT IS SUPPLIED FOR WITHOUT THE EXPRESS WRITTEN AUTHORITY OF CASTRADS, 1 KENWOOD RD, STOCKPORT, SK5 6PH		<b>WEIGHT:</b> <b>MATERIAL:</b> <b>SHEET:</b> 1 of 1