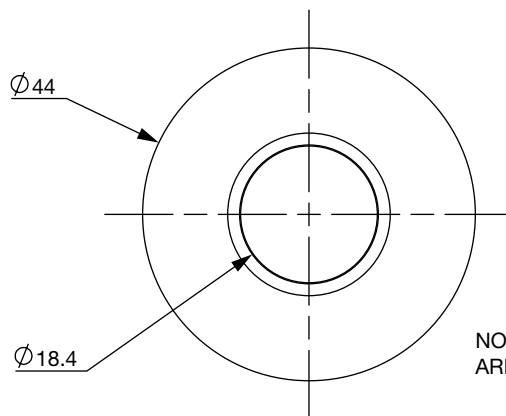
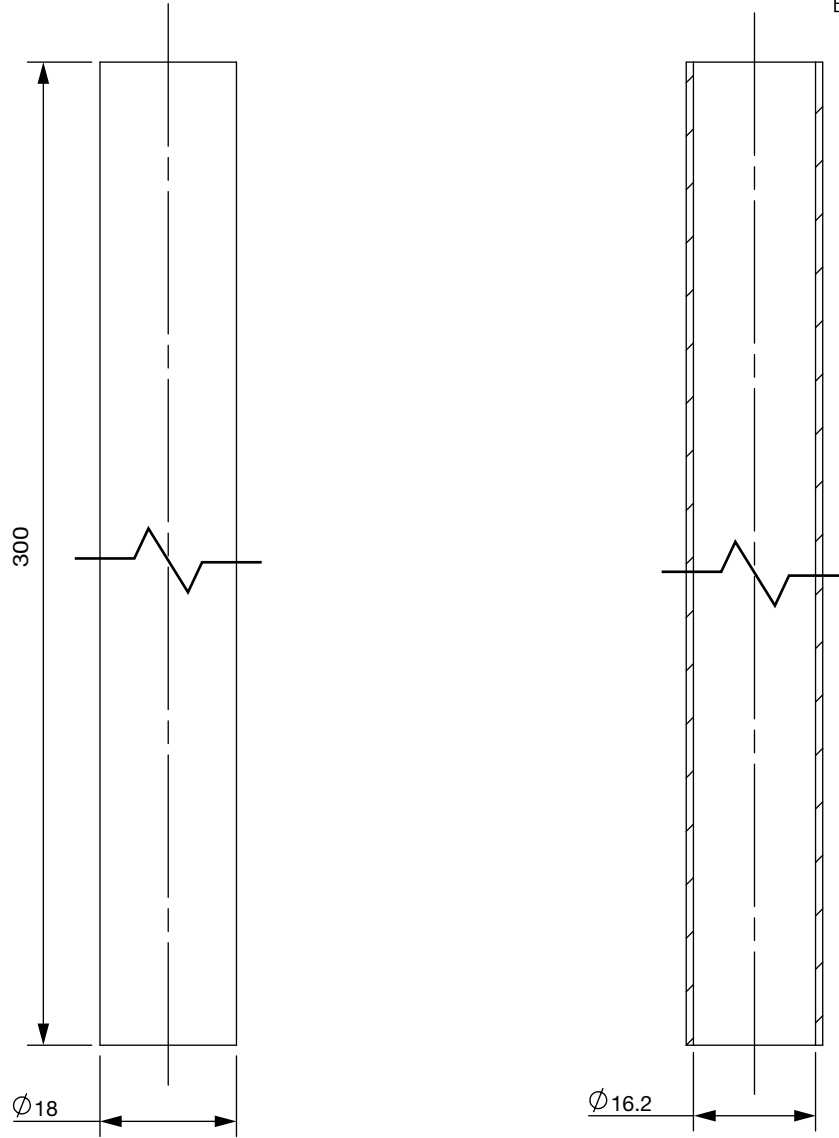


# TECHNICAL DRAWING

## 300MM SHROUDS AND BASEPLATES

# Castrads®

Est. 2006



NOTE: 2 X SHROUDS AND BASEPLATES ARE INCLUDED IN A PACK



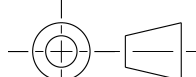
**NOTES:**  
UNLESS OTHERWISE SPECIFIED: ALL DIMENSIONS ARE IN MILLIMETERS, DUAL DIMENSIONS ARE IN INCHES AND APPLY BEFORE FINISHING. REMOVE AND DEBURR SHARP EDGES. CHAMFER OR R 0.5 MAX. THREADS TO BS 3643-1:2007. T.S.C. DENOTES - TO SHARP CORNER - WHERE DIMENSIONS ARE TAKEN FROM TRUE CORNER BEFORE FILLETS.

DO NOT SCALE DRAWING

REVISION

**TITLE:**  
300MM SHROUDS AND BASEPLATES

**F** CONFIDENTIAL. THIS DRAWING IS THE PROPERTY OF CASTRADS © AND MAY NOT BE COPIED OR USED FOR ANY PURPOSE OTHER THAN WHICH IT IS SUPPLIED FOR WITHOUT THE EXPRESS WRITTEN AUTHORITY OF CASTRADS, 1 KENWOOD RD, STOCKPORT, SK5 6PH



**DWG NO:**  
CR\_SHR\_&\_BP-X2

**A4**

**WEIGHT:**

**MATERIAL:**

**SHEET: 1 of 1**

1

2

3

4