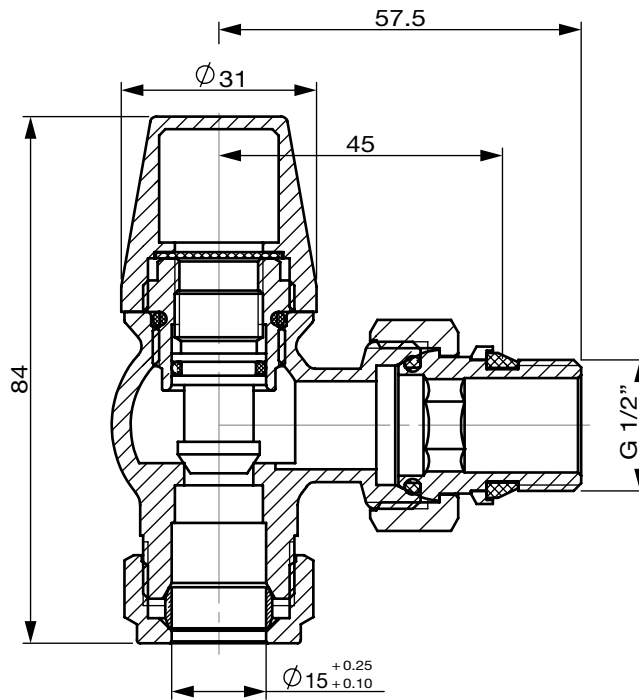


1 2 3 4

TECHNICAL DRAWING
WINDSOR ANGLED TRV LOCKSHIELD

Castrads[®]

Est. 2006

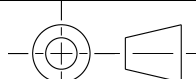


NOTES:
UNLESS OTHERWISE SPECIFIED: ALL DIMENSIONS ARE IN MILLIMETERS, DUAL DIMENSIONS ARE IN INCHES AND APPLY BEFORE FINISHING. REMOVE AND DEBURR SHARP EDGES. CHAMFER OR R 0.5 MAX. THREADS TO BS 3643-1:2007. T.S.C. DENOTES - TO SHARP CORNER - WHERE DIMENSIONS ARE TAKEN FROM TRUE CORNER BEFORE FILLETS.

DO NOT SCALE DRAWING REVISION

TITLE:
WINDSOR ANGLED TRV LOCKSHIELD

F CONFIDENTIAL. THIS DRAWING IS THE PROPERTY OF CASTRADS © AND MAY NOT BE COPIED OR USED FOR ANY PURPOSE OTHER THAN WHICH IT IS SUPPLIED FOR WITHOUT THE EXPRESS WRITTEN AUTHORITY OF CASTRADS, 1 KENWOOD RD, STOCKPORT, SK5 6PH



WEIGHT: **MATERIAL:** **SHEET: 1 of 1**

DWG NO:
CR_WNDSR_A_TRV-LCK-UK **A4**