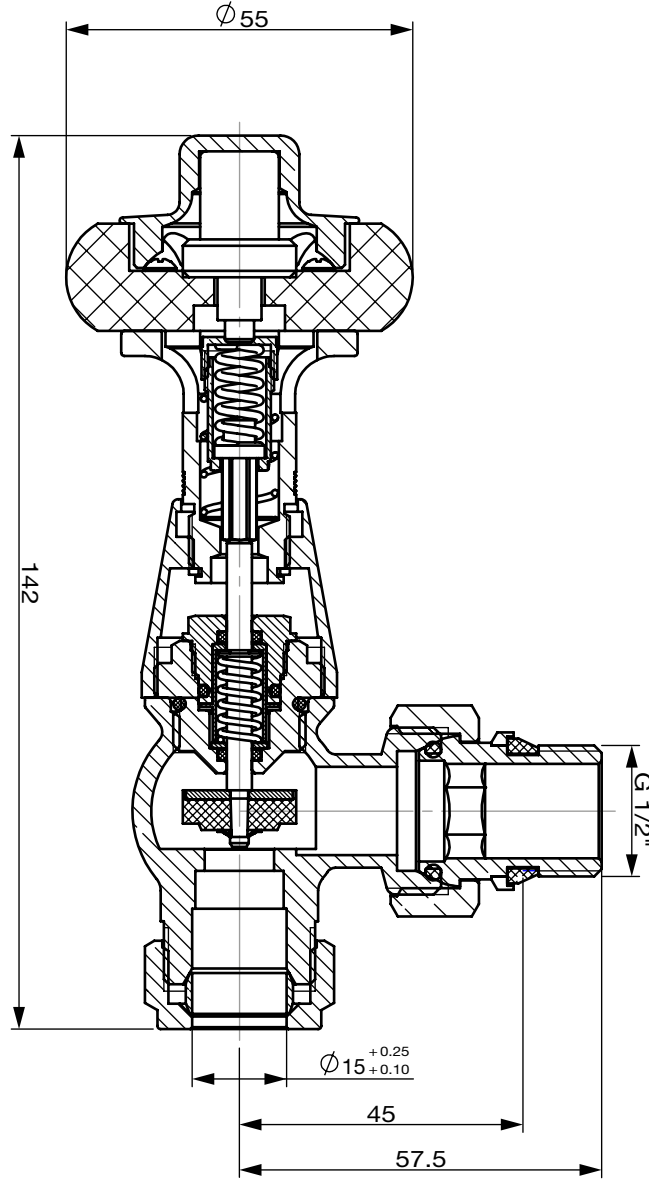


1 2 3 4

TECHNICAL DRAWING
WINDSOR ANGLED TRV

Castrads[®]

Est. 2006



NOTES:

UNLESS OTHERWISE SPECIFIED: ALL DIMENSIONS ARE IN MILLIMETERS, DUAL DIMENSIONS ARE IN INCHES AND APPLY BEFORE FINISHING. REMOVE AND DEBURR SHARP EDGES. CHAMFER OR R 0.5 MAX. THREADS TO BS 3643-1:2007. T.S.C. DENOTES - TO SHARP CORNER - WHERE DIMENSIONS ARE TAKEN FROM TRUE CORNER BEFORE FILLETS.

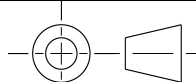
DO NOT SCALE DRAWING

REVISION

TITLE:

WINDSOR ANGLED TRV

F CONFIDENTIAL. THIS DRAWING IS THE PROPERTY OF CASTRADS © AND MAY NOT BE COPIED OR USED FOR ANY PURPOSE OTHER THAN WHICH IT IS SUPPLIED FOR WITHOUT THE EXPRESS WRITTEN AUTHORITY OF CASTRADS, 1 KENWOOD RD, STOCKPORT, SK5 6PH



DWG NO:

CR_WNDSR_A_TRV-CV-UK

A4

WEIGHT:

MATERIAL:

SHEET: 1 of 1

1

2

3

4

A

B

C

D

E

A

B

C

D

E

F