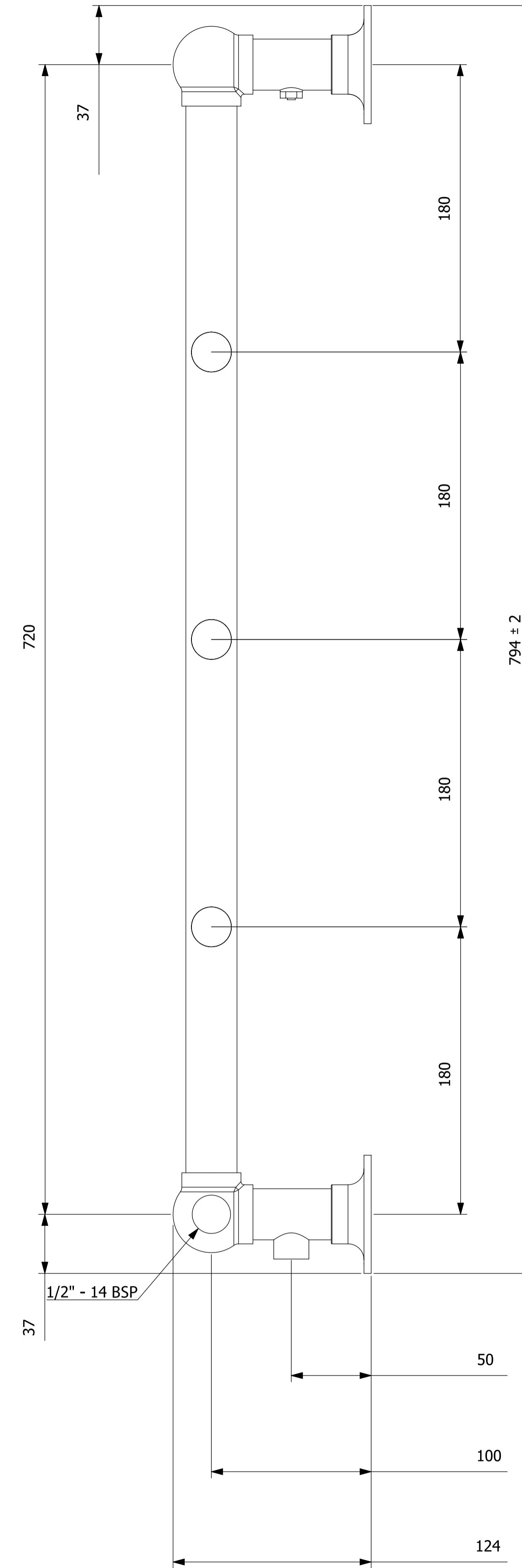
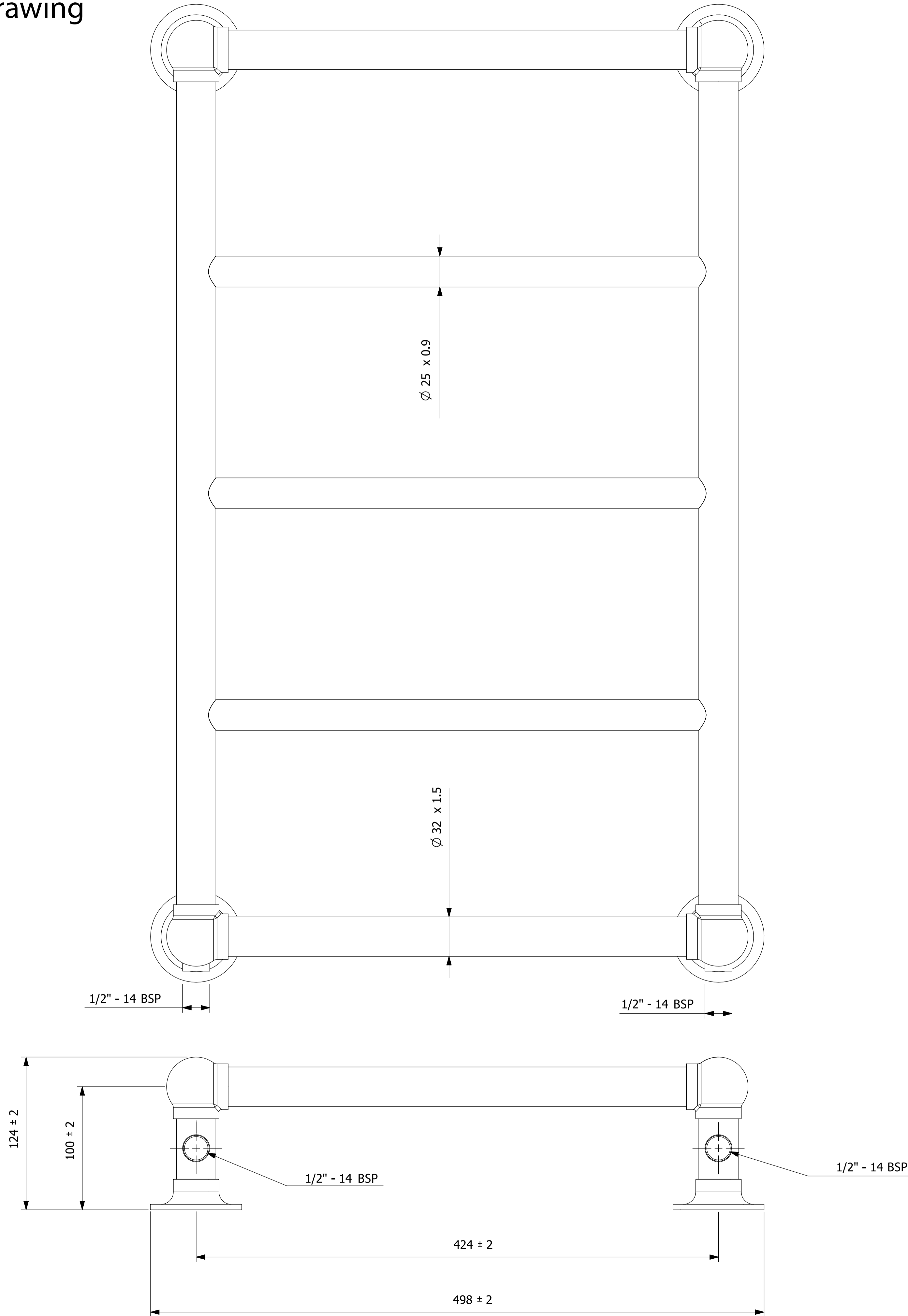


ELARA 5 TOWEL RAIL

Technical Drawing



NOTES:
UNLESS OTHERWISE SPECIFIED ALL DIMENSIONS ARE IN MILLIMETERS.
DUAL DIMENSIONS ARE IN INCHES AND APPLY BEFORE FINISHING.
REMOVE AND DEBURR SHARP EDGES, CHAMFER OR R 0.5 MAX. THREADS TO BS 3643-1:2007. T.S.C. DENOTES - TO SHARP CORNER - WHERE DIMENSIONS ARE TAKEN FROM TRUE CORNER BEFORE FILETS.
CONFIDENTIAL, THIS DRAWING IS THE PROPERTY OF CASTRADS & IS NOT TO BE COPIED OR USED FOR ANY PURPOSE OTHER THAN WHICH IT IS SUPPLIED FOR WITHOUT THE EXPRESS WRITTEN AUTHORITY OF CASTRADS, 1 KENWOOD RD, STOCKPORT, SK3 6PH

DO NOT SCALE DRAWING		REVISION
TITLE: ELARA 5 TOWEL RAIL		
DWG NO: CR_ELARA-5_UK	A1	
MATERIAL:	SCALE 1 : 2	
WEIGHT:	SHEET: 1 of 1	